

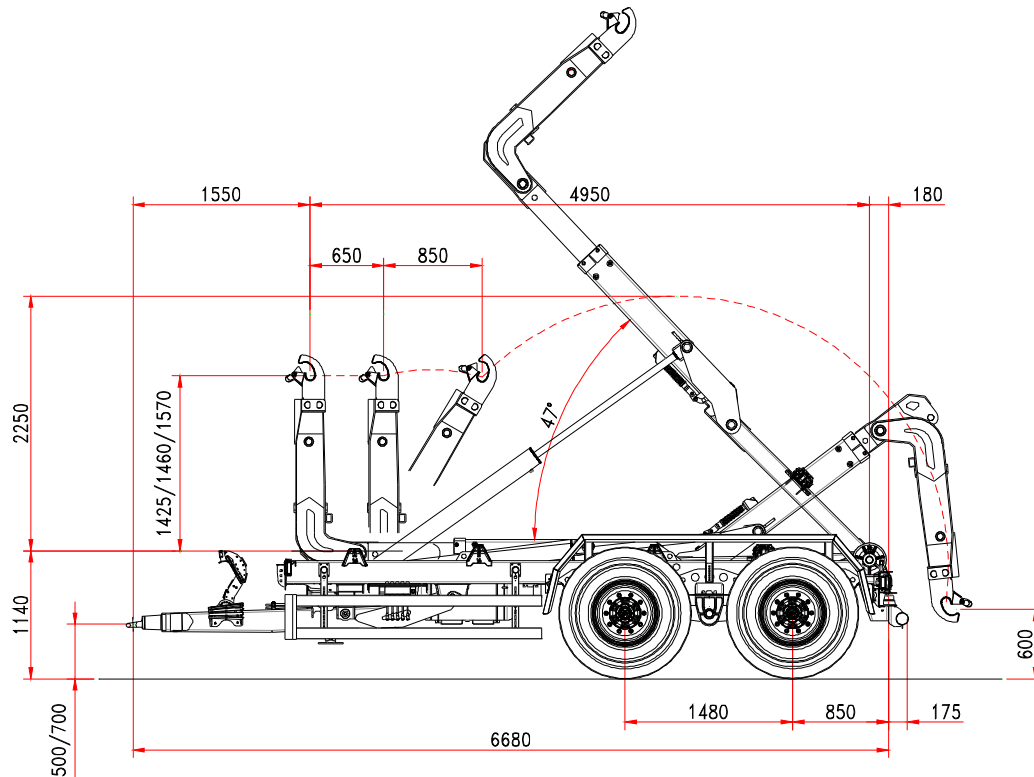


b.o.b. Sistemi Idraulici S.p.A.

ITRunner®

AZIENDA CON SISTEMA
DI GESTIONE QUALITÀ
CERTIFICATO DA DNV
= ISO 9001 =

2 AXLES HOOKLIFT TRAILER ITRK « 16.21 » MECHANIC SUSPENSION - TELESCOPIC AND ARTICULATED ARM



<u>STANDARD FEATURES</u>		<u>TELESCOPIC AND ARTICULATED ARM</u>	
<u>CHASSIS</u>		<u>OLEO DYNAMIC SYSTEM</u>	
Frame section	200 x 100	Tractor hydraulics:	4 controls d/act
Draw bar	silent block	Oil volume (hooklift filled)	45 lt.
Leaf spring suspension (tandem)	21 t	Cylinders oil operation demand:	
Axles wheelbase	1.480 mm	Tipping	8 lt
Axles section (ADR type)	2 x 110	Load / upload	9,3 lt.
Axles	fixed+fixed	Tipping/loading max. pressure	180/200 bar
Track	2.000 mm		
Brake drum	400 x 80		
Braking system	hydraulic		
Towing eye	turning type		
Draw bar support foot	hydraulic		
Wheels size	500/60-22,5		
Chassis loading level	1.140 mm		
<u>WEIGHT AND DIMENSIONS</u>			
Gross Trailer Weight (G.T.W.)	21 t		
Container handling cap.	4.000/6.000 mm.		
Max speed	40 Km/h		
(*) Tare	4.800 kg		

Edit 06/2013

(*) Tare: the trailer weight is referred to the basic unit without options and accessories.

The technical details shown in this sheet are indicative and can be changed by the builder without prior notice

B.O.B. Sistemi Idraulici S.p.A. - Regione Oltre Rea, 32 - 12060 Monchiero (CN) - Italia

P. I.V.A. 00496180043 - Tel.: +39 (0173) 780002/3 - Fax: +39 (0173) 780004

Internet: www.bobspa.com - e-mail: info@bobitalev.com