

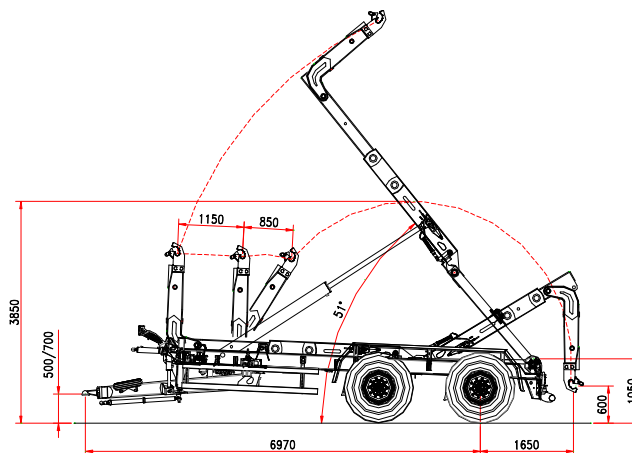
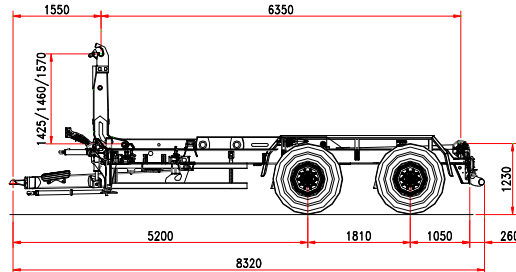


ITRunner®

AZIENDA CON SISTEMA
DI GESTIONE QUALITÀ
CERTIFICATO DA DNV
= ISO 9001 =

b.o.b. Sistemi Idraulici S.p.A.

2 AXLES HOOKLIFT TRAILER ITRK « 22.23 X7 » TELESCOPIC AND ARTICULATED ARM - HYDRAULIC SUSPENSIONS



STANDARD FEATURES		TELESCOPIC AND ARTICULATED ARM	
CHASSIS		run	1.150 mm + 850 mm
Frame section	250 x 100	Hook level	1.425/1.460/1.570
Draw bar	hydraulic	Container internal/external locking	hydraulic
Suspension	24 t	Tipping angle	51°
Axles WHB	1.810 mm	Hoist start cylinder	standard
Axles section (ADR type)	2 x 150	Tipping capacity	22 ton
Axles	fixed + fixed	Lifting capacity	22 ton
Track	2.000	(according to hook-level)	
Brake drum	406 x 120	OLEO DYNAMIC SYSTEM	
Braking system	hydraulic	Tractor hydraulic	3 controls d/act
Towing eye	fixed type	Oil volume (hook lift filled)	50 lt.
Support feet	2 x hydraulic	Cylinders oil operation demand:	
Wheels size	550/60-22,5	Tipping	12 lt
Chassis loading level	1.230 mm	Load / unload	15 lt
Front stab. cylinder 3rd point	standard	Tipping / loading pressure	180/180 bar
WEIGHT AND DIMENSIONS		4 sections electro-valves with control	Bobeasy base
Gross Trailer Weight (G.T.W.)	23 ton		
Container handling cap.	5.000/7.200 mm.		
Max speed	40 Km/h		
(*) Tare	6.350 kg		
(*) The trailer tare is referred to the basic unit without options & accessories			

Edit 06/2013

The technical details shown in this sheet are indicative and can be changed by the builder without prior notice.

B.O.B. Sistemi Idraulici S.p.A. – Regione Oltre Rea, 32 – 12060 Monchiero (CN) – Italia

P. I.V.A. 00496180043 – Tel.: +39 (0173) 780002/3 – Fax: +39 (0173) 780004

Internet: www.bobspa.com – e-mail: info@bobitalev.com