

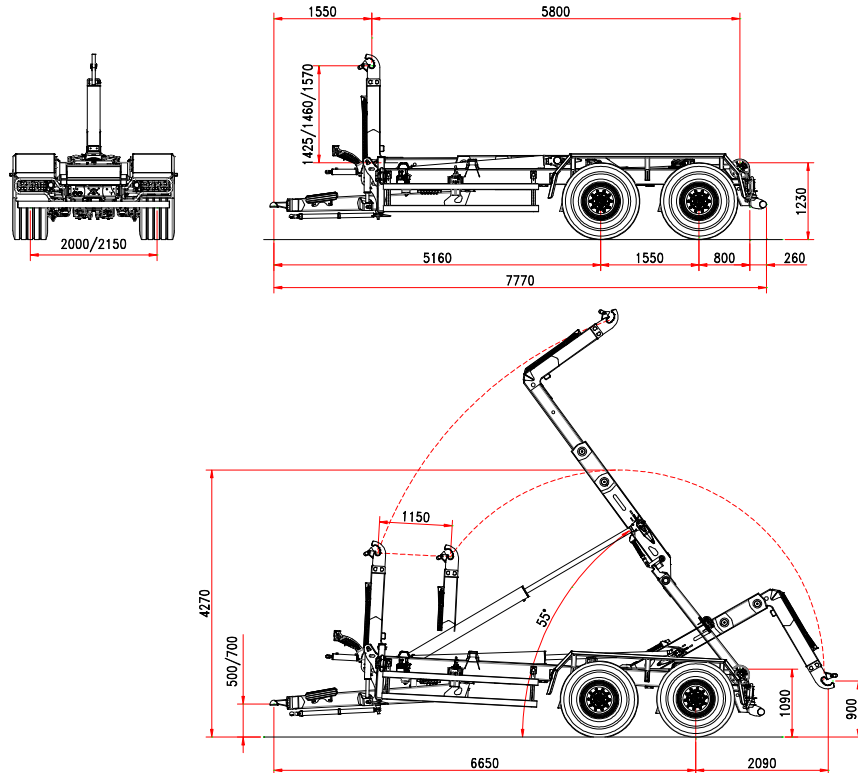


# ITRunner®

**AZIENDA CON SISTEMA  
DI GESTIONE QUALITÀ  
CERTIFICATO DA DNV  
= ISO 9001 =**

b.o.b. Sistemi Idraulici S.p.A.

## 2 AXLES HOOKLIFT TRAILER ITR « 22.23 X » HYDRAULIC SUSPENSIONS TELESCOPIC ARM



<b>STANDARD FEATURES</b>		<b>TELESCOPIC ARM</b>	
<b>CHASSIS</b>		run	1.150 mm
Frame section	250 x 100	Hook level	1.425/1.460/1.570
Draw bar	hydraulic	Container internal/external locking	hydraulic
Suspension	24 t	Tipping angle	55°
Axles WHB	1.550 mm	Hoist start cylinder	standard
Axles section (ADR type)	2 x 150	Tipping capacity	22 ton
Axles	fixed + fixed	Lifting capacity	22 ton
Track	2.000	(according to hook-level)	
Brake drum	406 x 120	<b>OLEO DYNAMIC SYSTEM</b>	
Braking system	hydraulic	Tractor hydraulic	4 controls double acting
Towing eye	turning	Oil volume (hook lift filled)	50 lt
Support foot	2 x hydraulic	Cylinders oil operation demand:	
Wheels size	550/60-22,5	Tipping	12 lt
Chassis loading level	1.230 mm	Load / unload	15 lt
Front stab. cylinder 3 <sup>rd</sup> point	standard	Tipping / loading pressure	200/210 bar
<b>WEIGHT AND DIMENSIONS</b>		3 sections electro-valves with control Bobeasy base	
Gross Trailer Weight (G.T.W.)	23 ton	Edit 06/2013	
Container handling cap.	5.000/6.500 mm.		
Max speed	40 Km/h		
(*) Tare	6.150 kg		
(*) The trailer tare is referred to the basic unit without options & accessories			

The technical details shown in this sheet are indicative and can be changed by the builder without prior notice.

**B.O.B. Sistemi Idraulici S.p.A.** – Regione Oltre Rea, 32 – 12060 Monchiero (CN) – Italia

P. I.V.A. 00496180043 – Tel.: +39 (0173) 780002/3 – Fax: +39 (0173) 780004

Internet: [www.bobspa.com](http://www.bobspa.com) – e-mail: [info@bobitalev.com](mailto:info@bobitalev.com)