

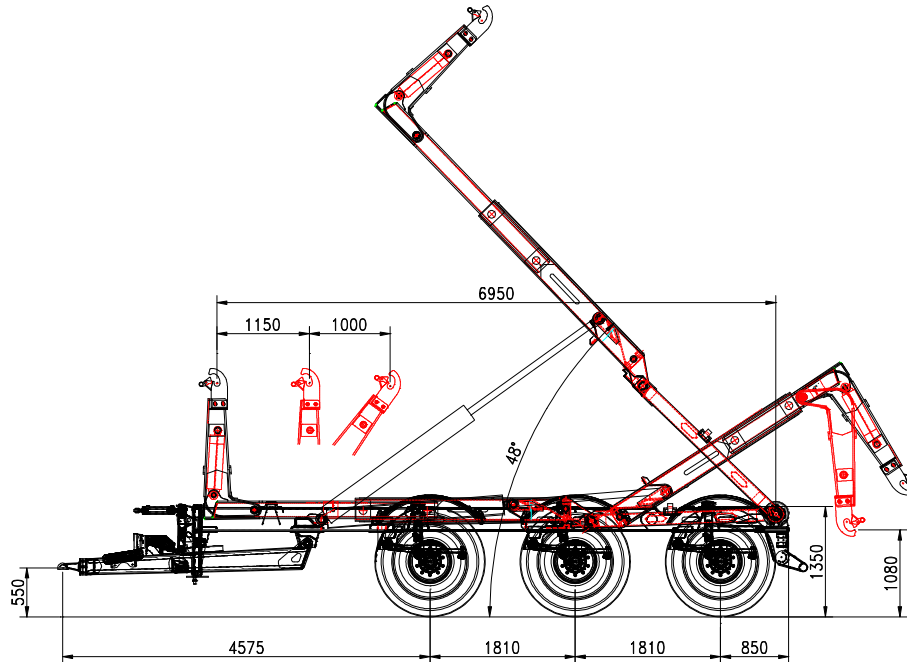


ITRunner®

AZIENDA CON SISTEMA
DI GESTIONE QUALITÀ
CERTIFICATO DA DNV
= ISO 9001 =

b.o.b. Sistemi Idraulici S.p.A.

3 AXLES HOOKLIFT TRAILER ITRK « 30.34 HD » HYDRAULIC SUSPENSIONS - TELESCOPIC AND ARTICULATED ARM



STANDARD FEATURES		TELESCOPIC AND ARTICULATED ARM	
HEAVY DUTY TRAILER AND HOOKLIFT STRUCTURE		run	1.150 + 1.000
CHASSIS		Hook level	1.425/1.460/1.570 mm
Frame section	300 x 100	Container external locking hydraulic reversible	
Draw bar	hydraulic	Tipping angle	48°
Hydraulic suspensions	36 tons	Hoist start cylinder	standard
Axles WHB	1.810 mm	Tipping capacity	30 ton
Axles section	3x150	Lifting capacity	30 ton
Axles	fixed+fixed+fixed	Load/unload max. gradient	18°
Track	2.000 mm	OLEODYNAMIC SYSTEM	
Brake drum	406 x 120	Tractor hydraulic acting	2 controls double
Braking system	hydraulic	Cardan + piston pump rpm	108 l / 1.000
Towing eye	fixed	Oil tank	160 l
Support feet	2 x hydraulic	Pump max. pressure	320 bar
Front stab. cylinder 3 rd point	standard	Radio control	standard
Chassis loading level	1.350 mm	Flow control electro-hydraulic with ground manual levers and remote radio control Bobeasy	
Wheels size	550/60-22,5		
TRAILER WEIGHT AND DIMENSIONS			
Gross Trailer Weight (G.T.W.)	33 / 34 ton		
Container handling cap.	5.500 / 8.200 mm		
Max speed	40 km/h		
(*) Tare	8.600 kg		
(*) Tare: the trailer weight is referred to the basic unit without options and accessories.			

Edit 06/2013

The technical details shown in this sheet are indicative and can be changed by the builder without prior notice.

B.O.B. Sistemi Idraulici S.p.A. – Regione Oltre Rea, 32 – 12060 Monchiero (CN) – Italia

P. I.V.A. 00496180043 – Tel.: +39 (0173) 780002/3 – Fax: +39 (0173) 780004

Internet: www.bobspa.com – e-mail: info@bobitalev.com